



CARRI MISCELATORI

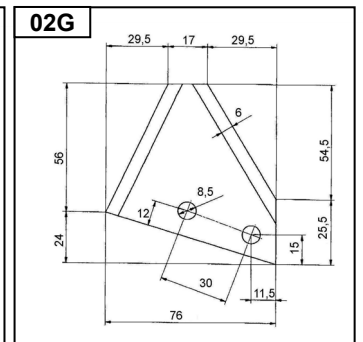
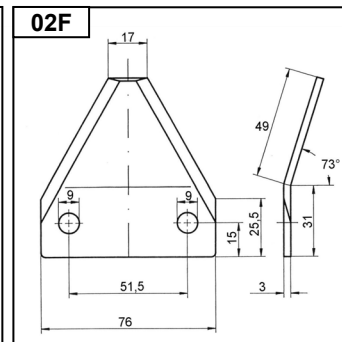
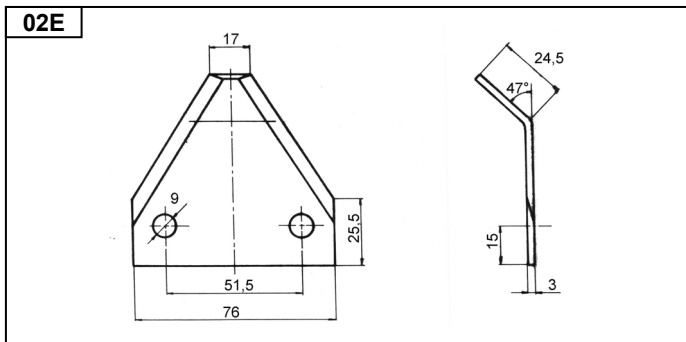
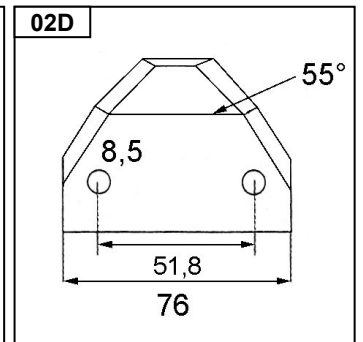
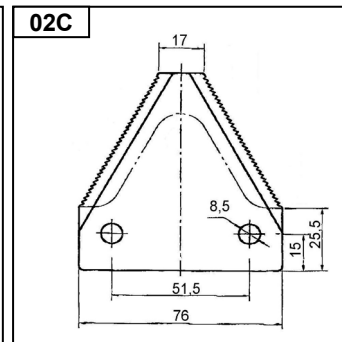
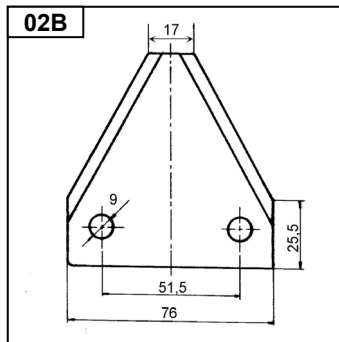
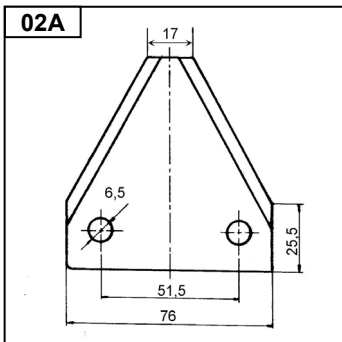
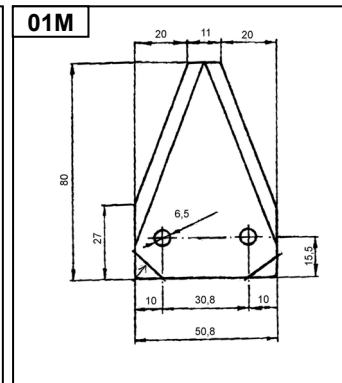
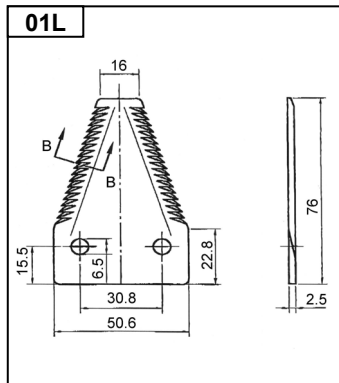
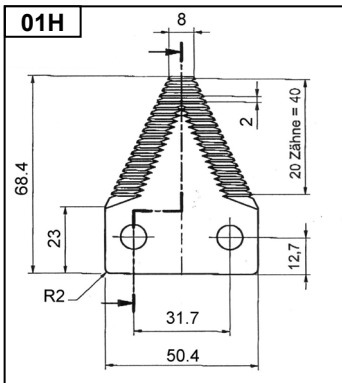
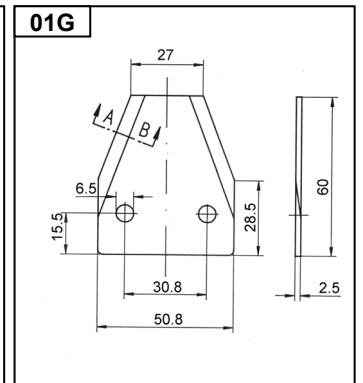
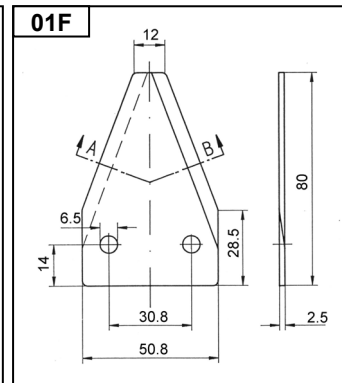
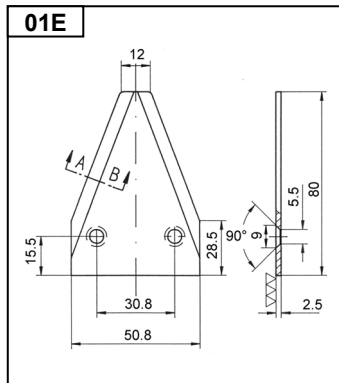
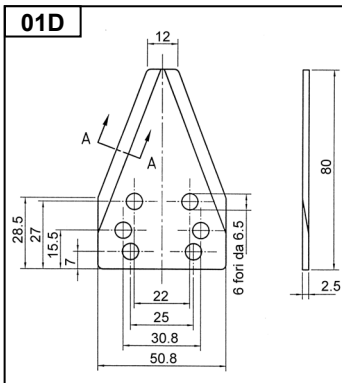
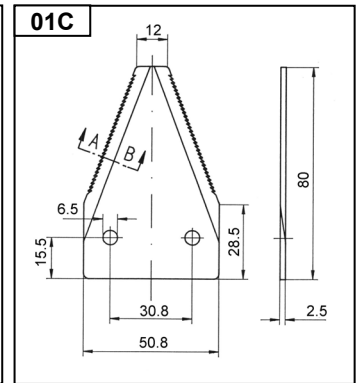
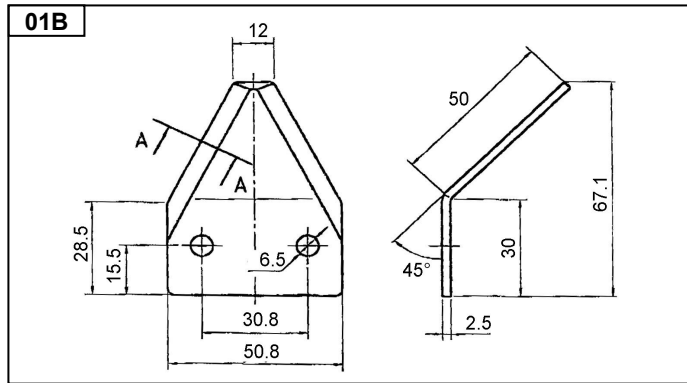
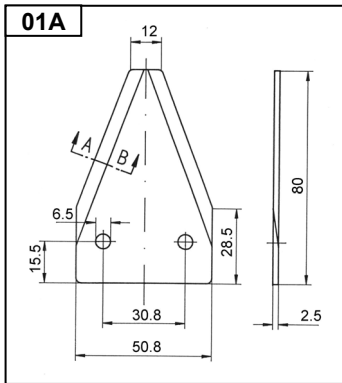
MIXER FEEDERS





CARRI MISCELATORI – MIXER FEEDERS

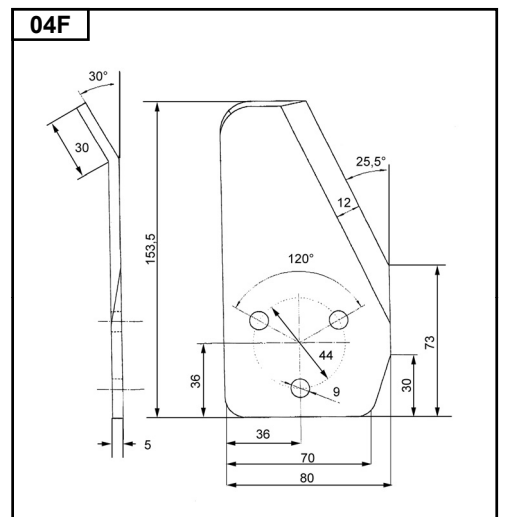
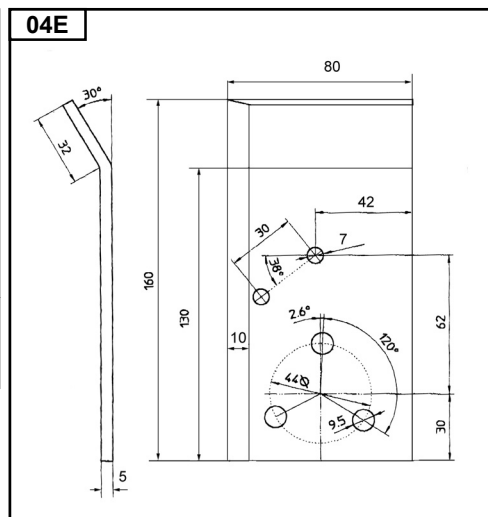
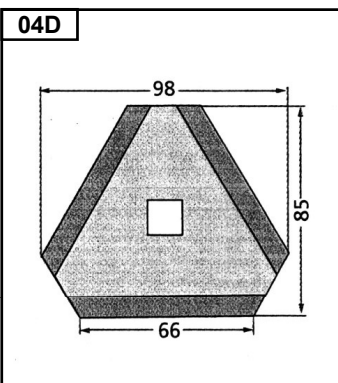
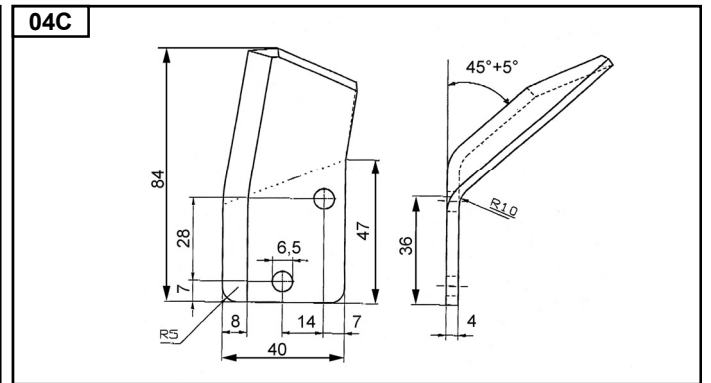
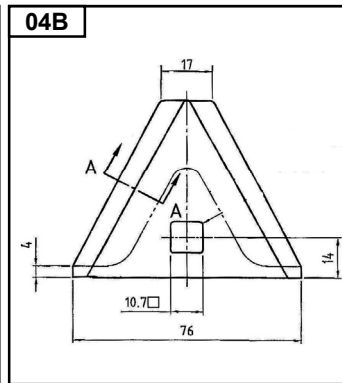
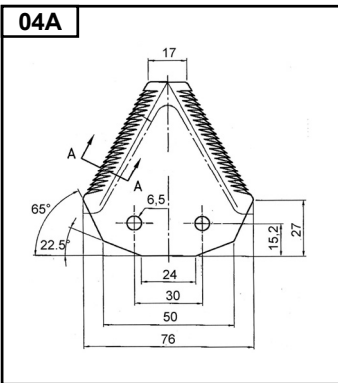
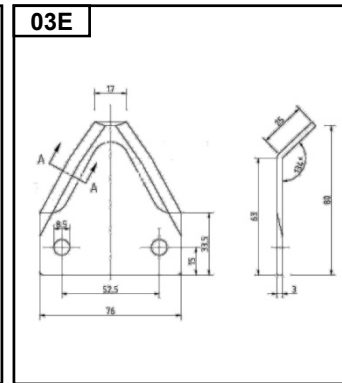
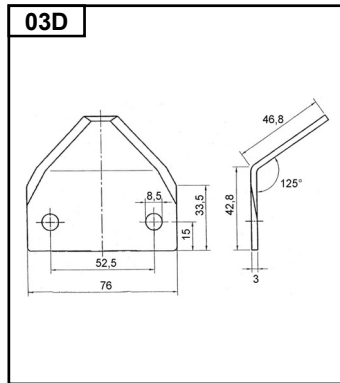
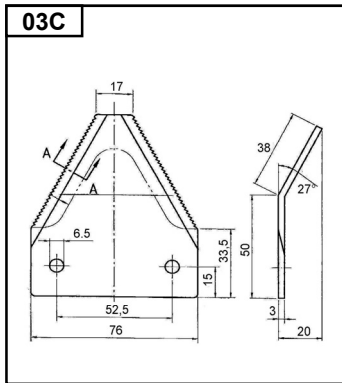
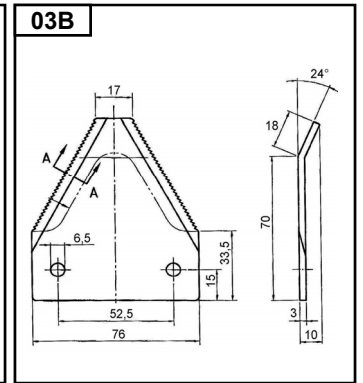
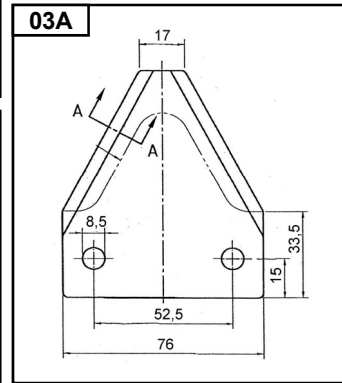
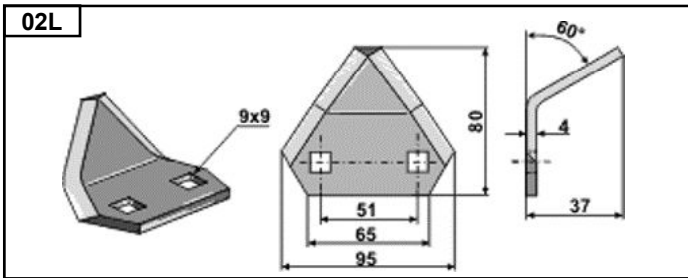
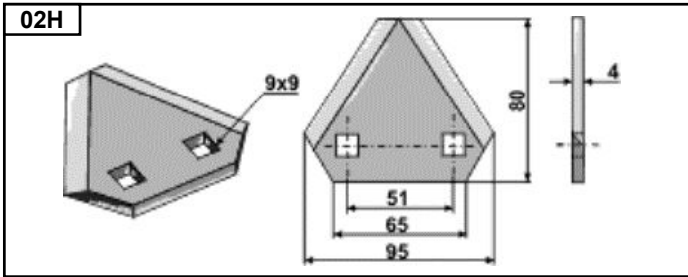
Coltelli Fresa - *Grinder Blades*





CARRI MISCELATORI – MIXER FEEDERS

Coltelli Fresa - *Grinder Blades*





CARRI MISCELATORI MIXER FEEDERS



Pos.	Orig. Ref.	RIMA Ref.	Description	Application	Pack.
Grinder Blades					
01A	D2001L-65	RM41-026	Chopper blade		25
01B	D2001L-65P	RM41-025	Chopper blade		25
01C	D2001R-65	RM41-002	Chopper blade		25
01D	16800026	RM41-086	Chopper blade	Storti - P86594	25
01E	16800015	RM41-016	Chopper blade	Storti - D2001L-UV	25
01G		RM41-010	Chopper blade	AGM-IMECO	25
01H	P87463	RM41-090	Chopper blade		25
01L	P86773	RM41-091	Chopper blade		25
01M		RM41-087	Chopper blade	Sgariboldi	25
02A	DIN80L/6,5	RM41-092	Chopper blade	60613007-A7153002	25
02B	363-015	RM41-084	Chopper blade	Marmix	25
02C		RM41-088	Chopper blade	Eurocomp	25
02D	3000472	RM41-061	Chopper blade	Himel	25
02E	362	RM41-007	Chopper blade	fori 9 - Marmix	25
	60613008	RM41-009	Chopper blade	fori 6,5 - Zago	25
02F	364	RM41-003	Chopper blade	Marmix	25
02G	16800028	RM41-020	Chopper blade	Unifast	25
	16800029	RM41-021	Chopper blade	Unifast	25
02H	A7153021	RM41-005	Chopper blade	KUHN	25
02L	A7153023	RM41-006	Chopper blade	KUHN	25
03A		RM41-052	Chopper blade	fori 8,5	25
03B		RM41-053/1	Chopper blade	Comag	25
03C		RM41-053/2	Chopper blade	Comag	25
03D		RM41-085	Chopper blade		25
03E	308450250		Chopper blade	Faresin	25
04A	2101-02	RM41-063	Chopper blade	Rotomix	25
04B	KD1520046	RM41-094	Chopper blade	Kverneland	25
04C	16800004		Chopper blade	AGM-Unifast	25
	16800005		Chopper blade	AGM-Unifast	25
	16800012	RM41-033/F	Chopper blade 4mm thick	Storti	25
	16800013	RM41-033/F	Chopper blade 4mm thick	Storti	25
04D		RM41-082	Chopper blade	Zago	25



CARRI MISCELATORI MIXER FEEDERS



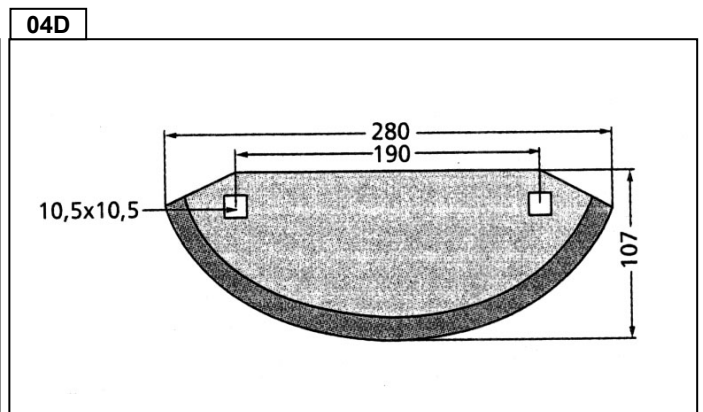
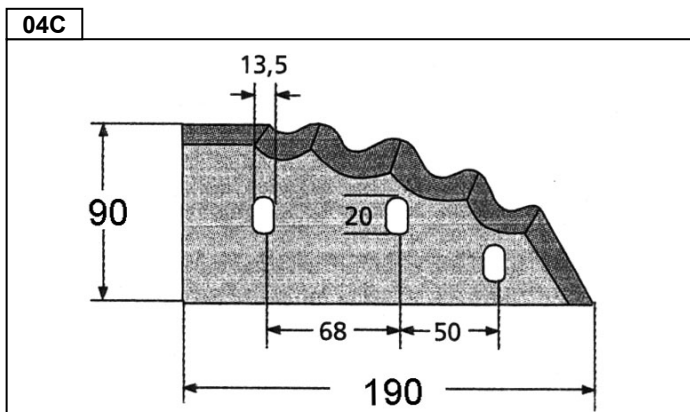
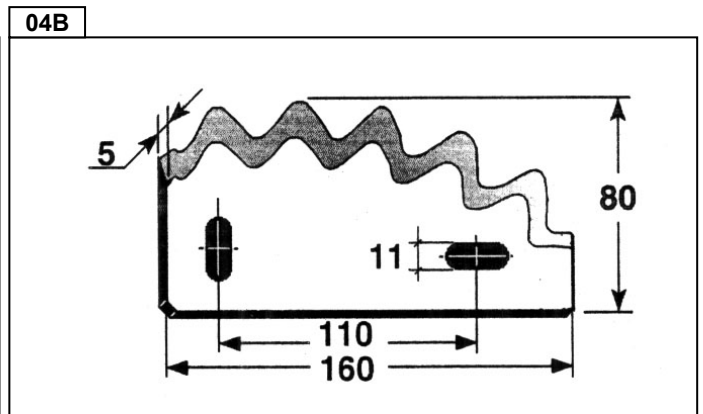
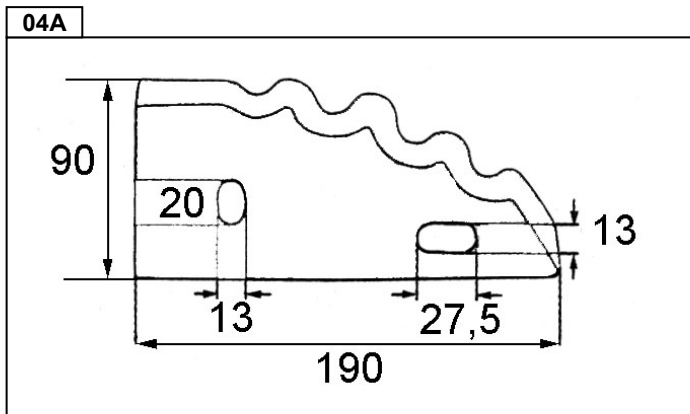
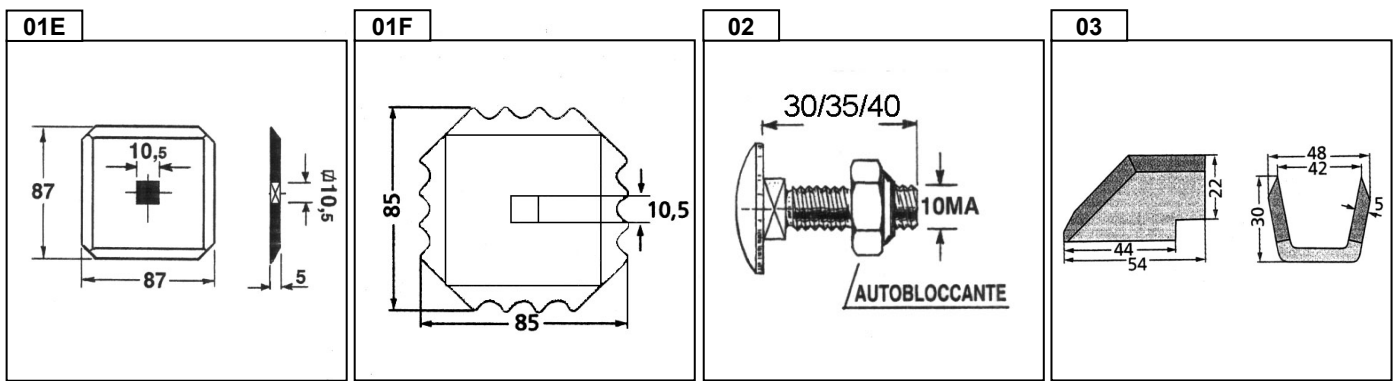
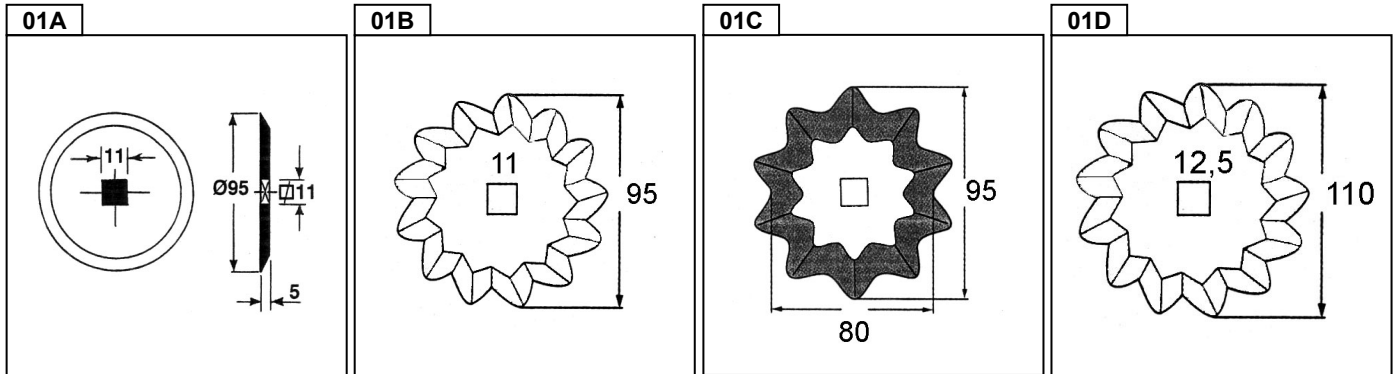
Pos.	Orig. Ref.	RIMA Ref.	Description	Application	Pack.
04E	16800108	RM41-095	Chopper blade	Storti	50
	16800109	RM41-096	Chopper blade	Storti	50
04F	16800097	RM41-097	Chopper blade	Storti	50
	16800098	RM41-098	Chopper blade	Storti	50





CARRI MISCELATORI – MIXER FEEDERS

Coltelli Coclea - Auger Blades



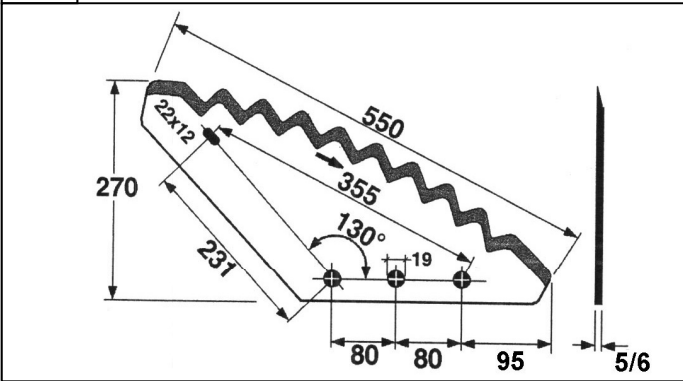


CARRI MISCELATORI – MIXER FEEDERS

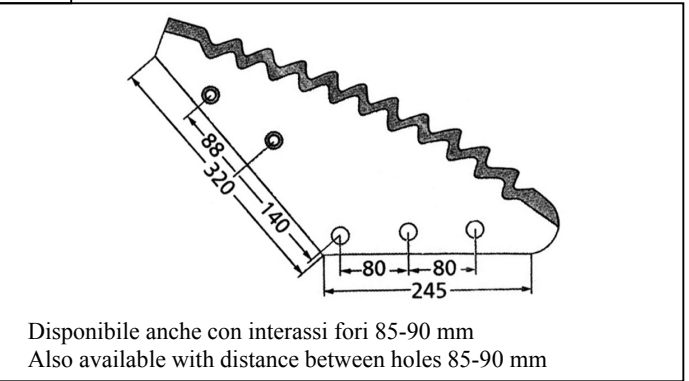
Coltelli Coclea - Auger Blades



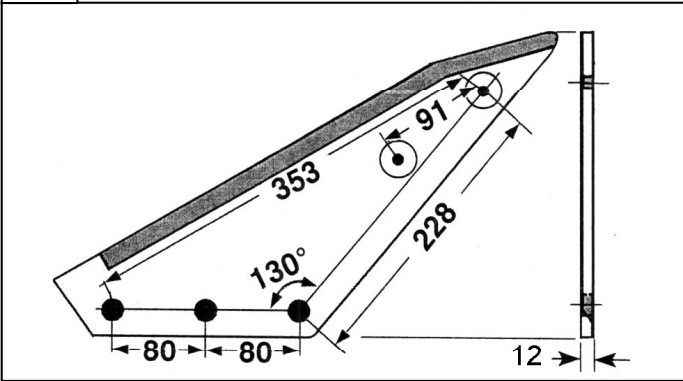
04E



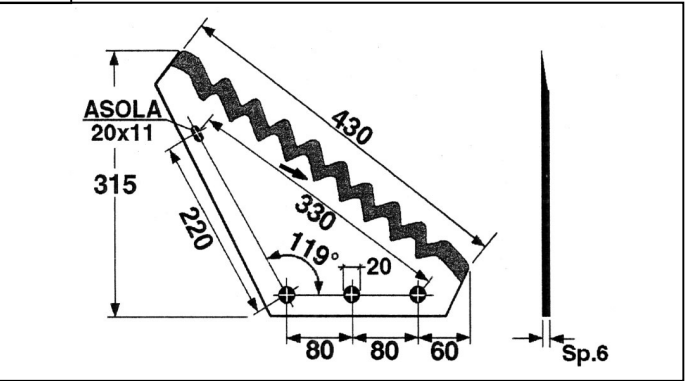
04F



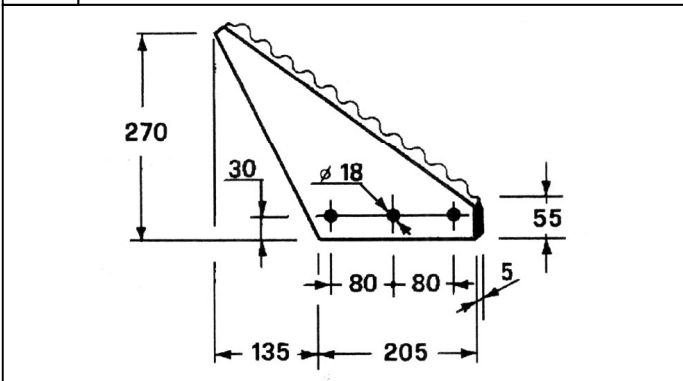
04G



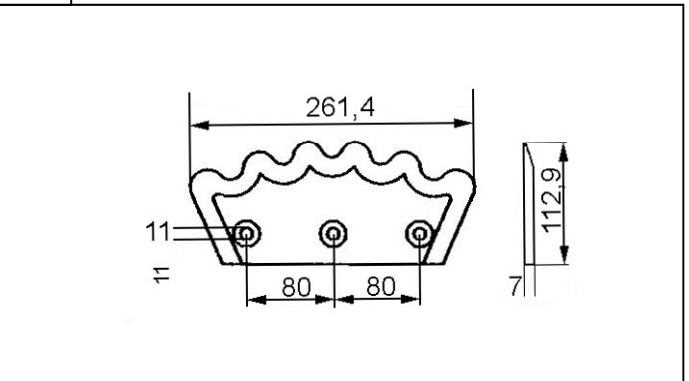
04H



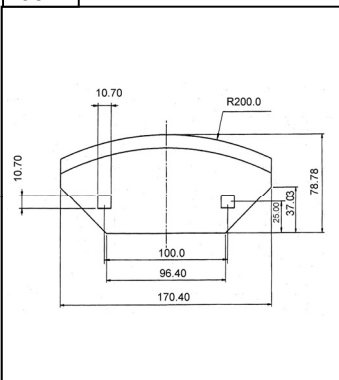
04L



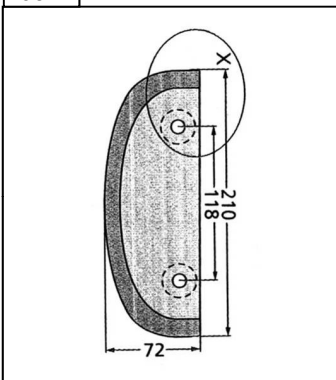
05A



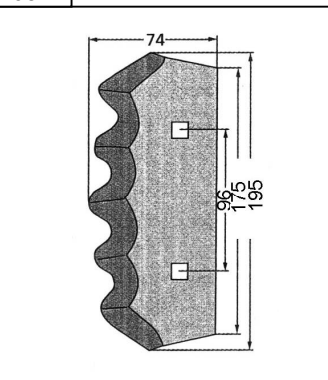
05B



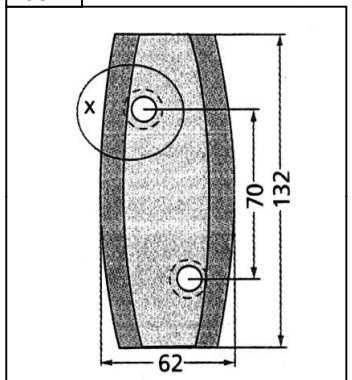
05C



05D



05E





CARRI MISCELATORI MIXER FEEDERS



Pos.	Orig. Ref.	RIMA Ref.	Description	Application	Pack.
Auger Blades					
01A	RM41-029		Round smooth blade 95mm thick	sp.5mm	25
	RM41-029/F		Round smooth blade 95mm thick	sp.5mm	25
01B	RM41-031		Round serrated blade 95mm	sp.5mm	25
01C	RM41-031/F		Round serrated blade 95mm	sp.5mm	25
01E	RM41-032		Smooth blade 85x85	sp.4mm	25
01F	24479053	RM41-068	Toothed blade 85x85x85	sp.6mm	25
02	RM41-1030		Bolt 10x30 with self-lock nut	lungh.30mm	50
	RM41-1035		Bolt 10x35 with self-lock nut	lungh.35mm	50
	RM41-1040		Bolt 10x40 with self-lock nut	lungh.40mm	50
03	RM41-083		Counter knife	Storti	10
04A	RM41-035 DX		Blade 190x90 rh	sp.5mm	25
	RM41-035 SX		Blade 190x90 lh	sp.5mm	25
	RM41-035/F DX		Blade 190x90 rh	sp.5mm	25
	RM41-035/F SX		Blade 190x90 lh	sp.5mm	25
04B	RM41-036 DX		Blade 160x80 rh	sp.5mm	25
	RM41-036 SX		Blade 160x80 lh	sp.5mm	25
04C	RM41-075/F DX		Blade 190x90 rh with 3 holes	Sgariboldi	10
	RM41-075/F SX		Blade 190x90 lh with 3 holes	Sgariboldi	10
04D	RM41-027		Smooth blade 280x107	sp.6mm	10
	RM41-028		Toothed blade 280x107	sp.6mm	10
04E	RM41/037CV		Blade 560mm	sp.5mm	1
	RM41/037CVT		Blade 560mm	sp.5mm + tungsteno	1
04F	RM41-019CV		Blade 560mm with 2 slotted holes	sp.5mm	1
	RM41-019CVC		Blade 560mm with 2 slotted holes	interasse 85-90mm	1
	RM41-019CVT		Blade 560mm with 2 slotted holes	sp.5mm + tungsteno	1
	RM41-019CVT		Blade 560mm with 2 slotted holes	interasse 85-90mm + tungsteno	1
04G	RM41-047		Support for vertical sys. Blade	sp.12mm	1
04H	RM41-013		Blade 428mm	sp.6mm	1
	RM41-013CV		Blade 428mm	sp.6mm	1
	RM41-013CVT		Blade 428mm	sp.6mm + tungsteno	1
04L	RM.77026	RM41-078	Blade 440mm	autocaricante	1
05A	RM41-099		Toothed blade 261x112 7mm thick	Pagliari	10
	RM41-099T		Toothed blade 261x112 7mm thick+tungsten	Pagliari	10
05B	KD1560177	RM41-101	Blade 170x79 2 squared holes	Kverneland	10
05C	RM41-100		Smooth blade 210x72 - 2 square holes	Storti	10
05D	16800066	RM41-074	Toothed blade	Storti/Marmix	10
05E	553043000	RM41-077	Smooth blade 130x62 - 10mm thick	Logifeed	50